

Blue 28" 7.0 Lb. Black Base Cone

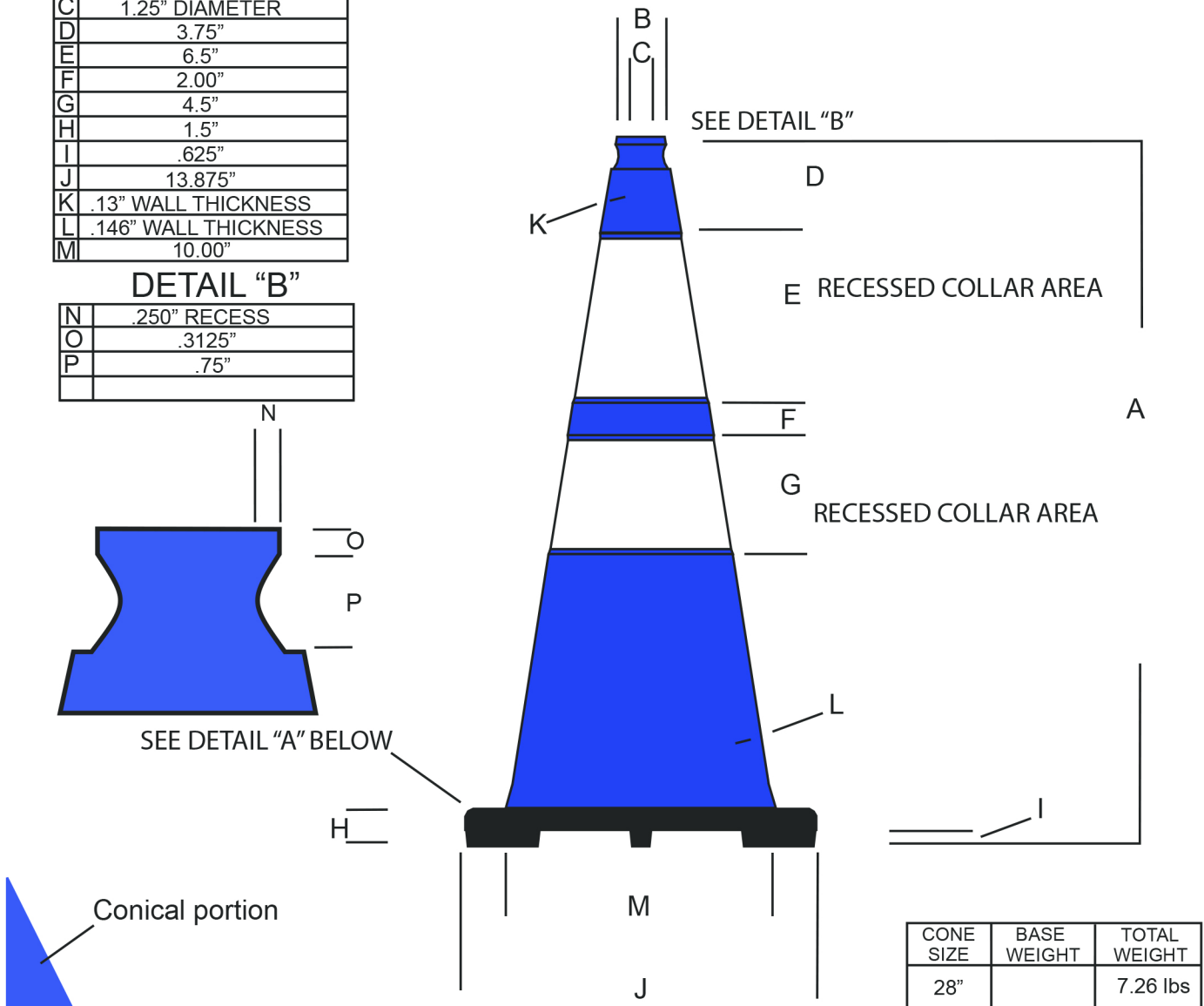
Models for this spec sheet: CRB28RC64 • CRB28RC64S

DIMENSIONS

A	28.00"
B	1.875"
C	1.25" DIAMETER
D	3.75"
E	6.5"
F	2.00"
G	4.5"
H	1.5"
I	.625"
J	13.875"
K	.13" WALL THICKNESS
L	.146" WALL THICKNESS
M	10.00"

DETAIL "B"

N	.250" RECESS
O	.3125"
P	.75"



Notes:

Conical section manufactured from 100% recyclable fluorescent orange PVC
Base manufactured from 100% post industrial recycled black PVC
Conical section and base are injection molded.

Circle Interlock System

DETAIL "A"